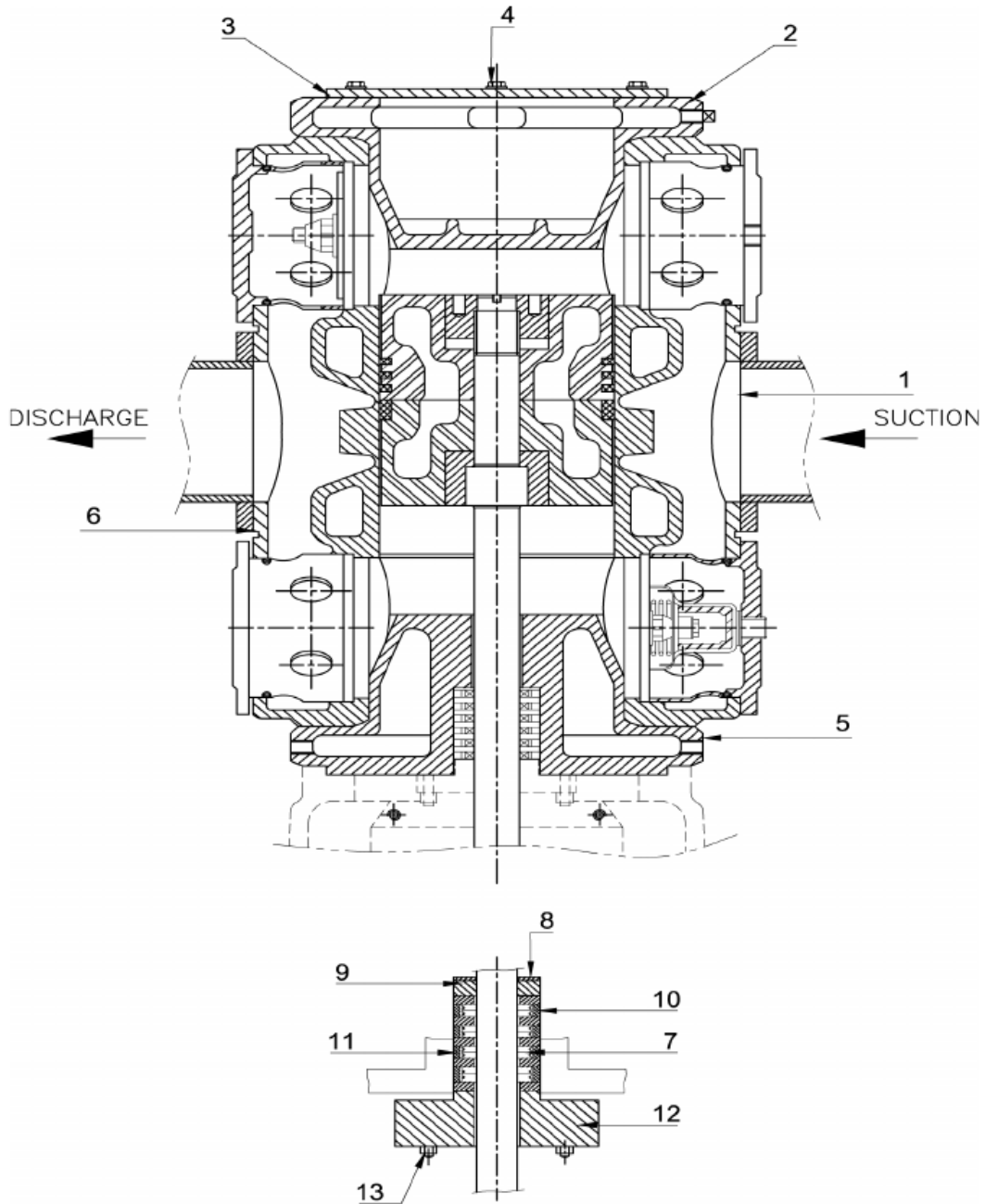


# 4. AIR CYLINDER ASSEMBLY (For HX1T-20NPS & HX1T-25N1PS/PDS)



## 4. AIR CYLINDER ASSEMBLY (For HX1T-20NPS & HX1T-25N1PS/PDS)

No.	Description	Ref Part No.	QTY
<b>1</b>	<b>Cylinder Assembly (Dia. 185)</b>	<b>1903920295</b>	<b>1</b>
-	Cylinder	1903440202	1
-	Gasket for Door	1901003812	2
-	Cu. Washer	1903361913	20
<b>2</b>	<b>Cylinder Head Assembly (Outer)</b>	<b>1903905795</b>	<b>1</b>
3	*Gasket for Closing Plate	1901003831	1
3A	Closing Plate	1901006265	1
4	*Cu. Washer	1903361912	6
4A	Hex. Bolt M10x25 Lg.	0147136203	6
4B	Gasket bet'n Cylinder	1901003798	2
<b>5</b>	<b>Cylinder Head Assembly (Inner)</b>	<b>1903905695</b>	<b>1</b>
6	Gasket for Cylinder Inlet and Outlet Flange	1903073908	2
6A	Gasket bet'n Cylinder	1901003798	2
7	*Packing Ring	1903145508	8
8	Aluminium Washer	1903074108	1
9	Sleeve	1903963804	1
10	Intermediate Ring	1901006279	5
11	Sleeve	1903963804	4
12	Packing Flange	-	1
13	Hellilock Nut	-	4