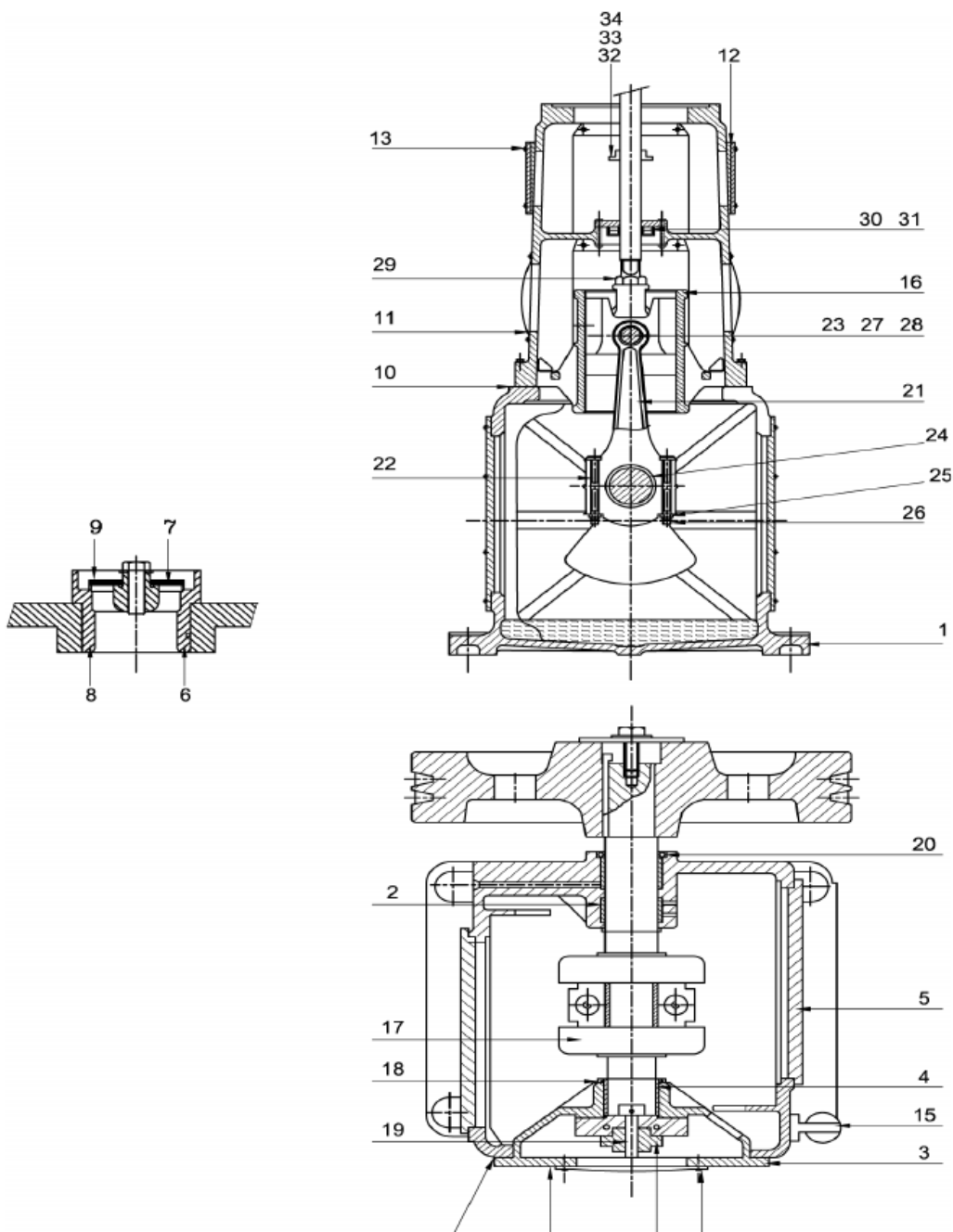


3. FRAME, CROSS SLIDE, CRANKSHAFT & CONNECTING ROD ASSEMBLY



3. FRAME, CROSS SLIDE, CRANKSHAFT & CONNECTING ROD ASSEMBLY

No.	Description	Ref Part No.	QTY
-	Frame Assly.	1903908195	1
1	*Frame	1901060237	1
2	*Main Bearing	1901000052	2
-	*Bearing Housing Assembly	1903908395	1
3	**Bearing Housing	1901060139	1
4	**Main Bearing	1901000052	1
5	Top Cover for frame	1903721302	1
6	Breather	1903611003	1
7	*'O' Ring for Breather	1903020808	1
8	Gasket for Frame	1901003773	3
9	Gasket for Frame (Frame side)	1901003812	4
10	Gasket for Frame (Cylinder side)	1903003812	4
11	Gasket for Inspection door	1901004476	4
12	Gasket for valve cover	1903073808	2
13	Hex. Nut M10	1903204913	8
14	Paper Gasket	1901003722	1
15	Oil Filter	1903060111	1
16	Cross Head	1901008533	2
17	Crankshaft	1903432602	1
18	-	-	-
19	Roll Pin Dia. 8x60 for Oil Pump	0108136500	1
20	-	-	-
21	Connecting Rod	1901007110	2
22	Connecting Bolt	1903303604	4
23	Small End Bush	1901000053	2
24	Big End Bearing (Pair)	1901000051	2
25	Castle Nut	1903222313	4
26	Split Pin	1903510913	4
27	Cross Head Pin	1901004100	2
28	Internal Circlip	0335214100	4
29	Connecting Rod Bolt	1901007110	4
30	Oil Wiper Ring (Pair of 2)	1903145908	2
31	Gasket for Oil Wiper Ring	1903073708	2
30	Deflector (For Old Models)	1903964004	3
31	'O' Ring for Deflector	1903020908	2
32	Grub Screw	1903284513	2
--	Packing Seal (V-Seal)	1901061537	3
35	Cover Pump End Assly	1903908495	1
36	Cu. Washer	1903361913	10
37	-	-	-