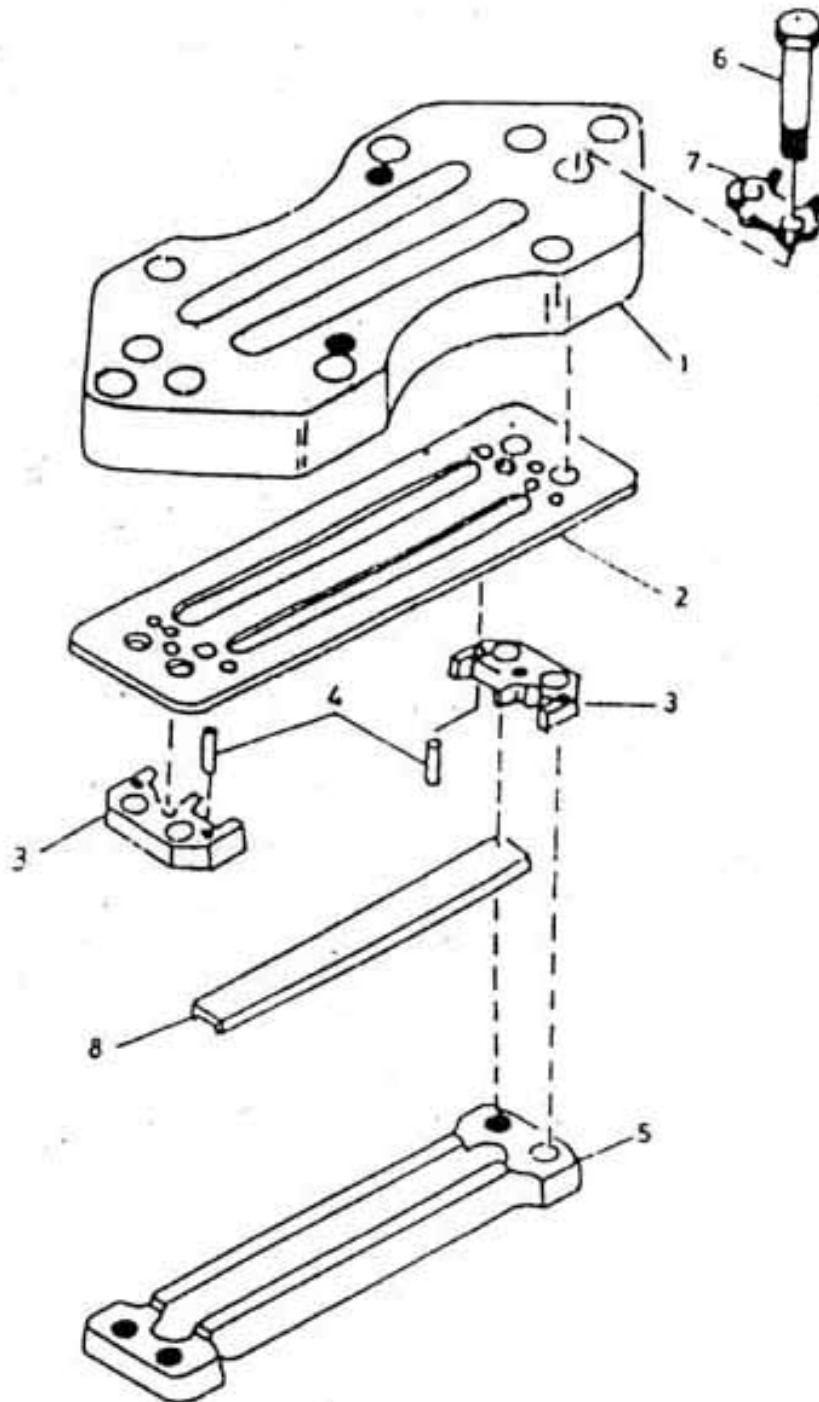


21. ASSEMBLY VALVE INLET - MODEL 8 x 5 LUB



All manufacturer's names, numbers, photos, product description and/or part numbers are used for reference purposes only & it is not implied that any part listed is the product of these manufacturers. Since Approvement are made from time to time, the illustration and specifications are subject to change without notice.

21. ASSEMBLY VALVE INLET - MODEL 8 x 5 LUB

No.	Description	Ref Part No.	QTY
–	Assembly Valve Inlet	30431365	–
1	– Seat Valve	70233168	1
2	– Seat Valve	37020567IM	1
3	– Guide Valve	37020559IM	2
4	– Pin Drive Lock 1/8" X 9/16"	70233101	4
5	– Stop Plate	30717425	1
6	– Bolt Hex Head 1/4" X 1-1/2"	95105466	6
7	– Washer Lock	31172091	2
8	– Channel & Spring Set	37020609IM	1