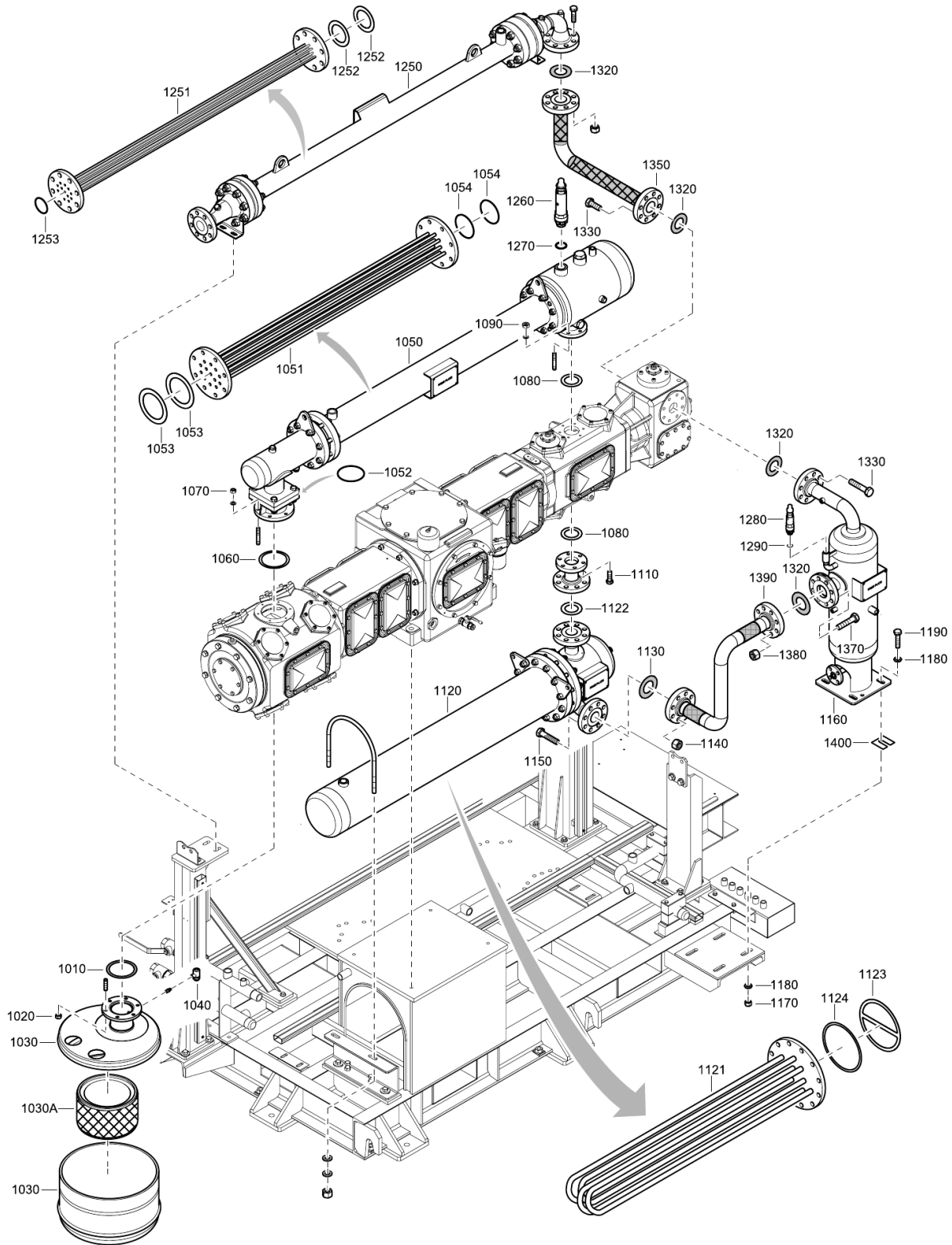


2. AIR FLOW - COOLER SYSTEM (37KW / 65KW - CE/SELO/ASME/GOST)



2. AIR FLOW - COOLER SYSTEM

(37KW / 65KW - CE/SELO/ASME/GOST)



REF	PART NUMBER	QTY	DESCRIPTION	REMARKS	REF	PART NUMBER	QTY	DESCRIPTION	REMARKS
1010	1901 0554 64	1	GASKET		1350	1901 0703 64	1	FLEXIBLE	
1020	0266 2111 00	6	HEX NUT		1370	0147 1963 11	8	HEX.HEAD SCREW	
1030	1901 0718 96	1	SILENCER FILTER		1380	0266 2114 00	8	NUT	
•1030A	1901 0716 76	1	FILTER ELEMENT		1390	1901 0703 59	1	FLEXIBLE	
1040	1901 0719 46	1	VACUUM INDICATOR		1400	1901 0087 99	4	SHIMS	
1050		1	COOLER						
	1903 6303 11		ASME						
	1901 0721 55		CE / GOST						
	1901 0716 01		SELO						
1051	1901 0716 70	1	BUNDLE						
1052	1901 0091 87	1	O-RING						
1053	0650 0102 38	2	FLAT GASKET						
1054	1901 0035 59	2	O-RING						
1060	1901 0554 64	1	GASKET						
1070	0266 2111 00	6	HEX NUT						
1080	1901 0554 79	2	GASKET						
1090	0266 2112 00	6	HEX.NUT						
1110	0147 1402 03	6	HEX.HEAD SCREW						
1120		1	COOLER						
	1903 6304 11		ASME						
	1901 0721 56		CE / GOST						
	1901 0716 02		SELO						
1121	1901 0716 71	1	BUNDLE						
1122	0650 1001 34	1	FLAT GASKET						
1123	1901 0716 58	1	SPECIAL GASKET						
1124	0650 0100 88	1	FLAT GASKET						
1130	0650 0101 32	1	RING GASKET						
1140	0266 2114 00	8	HEX.NUT						
1150	0147 1483 03	8	HEX.HEAD SCREW						
1160		1	INTEGRATED SEPARATOR						
	1903 2763 01		ASME						
	1901 0721 57		CE / GOST						
	1901 0716 07		SELO						
1170	0266 2114 00	4	HEX. NUT						
1180	1901 0063 92	8	PLAIN WASHER						
1190	0147 1481 03	4	HEX.HEAD SCREW						
1250		1	COOLER						
	1903 6302 11		ASME						
	1901 0722 02		CE / GOST						
	1901 0716 64		SELO						
1251	1901 0716 74	1	BUNDLE						
1252	0650 0102 01	2	FLAT GASKET						
1253	0663 2107 74	2	O-RING						
1260		1	SAFETY VALVE						
	1901 0636 23		ASME						
	1901 0636 22		CE						
	1901 0636 24		SQLO						
	1901 0678 41		GOST						
	1901 0720 28		ADAPTER						
1270	1901 0034 67	1	COPPER GASKET						
1280		1	SAFETY VALVE						
	1903 0604 77		ASME						
	1901 0118 19		CE/SELO						
	1901 0678 42		GOST						
	1901 0665 53		ADAPTER						
1290	1901 0001 32	1	COPPER GASKET						
1320	0650 0101 32	4	GASKET						
1330	0147 1484 03	16	SCREW						
1340	0266 2114 00	16	NUT						