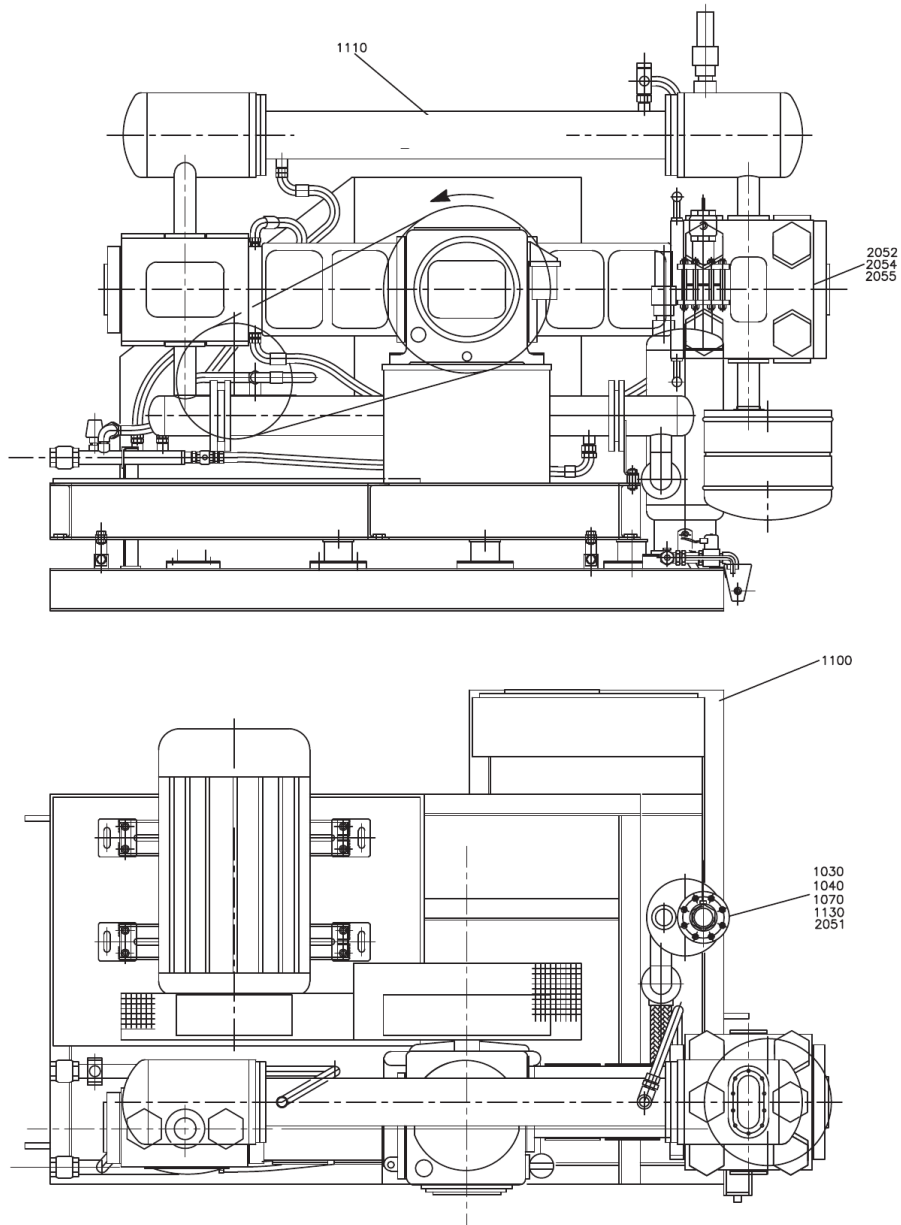


10. INSTRUMENTATION
(HX2T 75-100NP)



10. INSTRUMENTATION

(HX2T 75-100NP)



Ref	Part Number	Qty	Description	Remark	Ref	Part Number	Qty	Description	Remark
1030	1089 9625 34	3	Press. transducer						
1040	1089 0574 70	2	Temp sensor						
1070	1901 0672 94	2	Thermowell						
1100	1903 7601 17	1	CP troniciii sticker						
1110	1903 7602 17	1	CPlogo &Chicago Pneumatic						
1130	1903 3688 07	1	Hex.red.nipple						
2051	1903 4875 07	3	Male elbow						
2052	1903 4876 07	7	Male branch						
2054	1903 2765 07	AR	P.u.tube						
2055	1903 4874 07	1	Male elbow						
2090	1903 3727 07	2	Red nipple -R3/8"-RP1/4"						