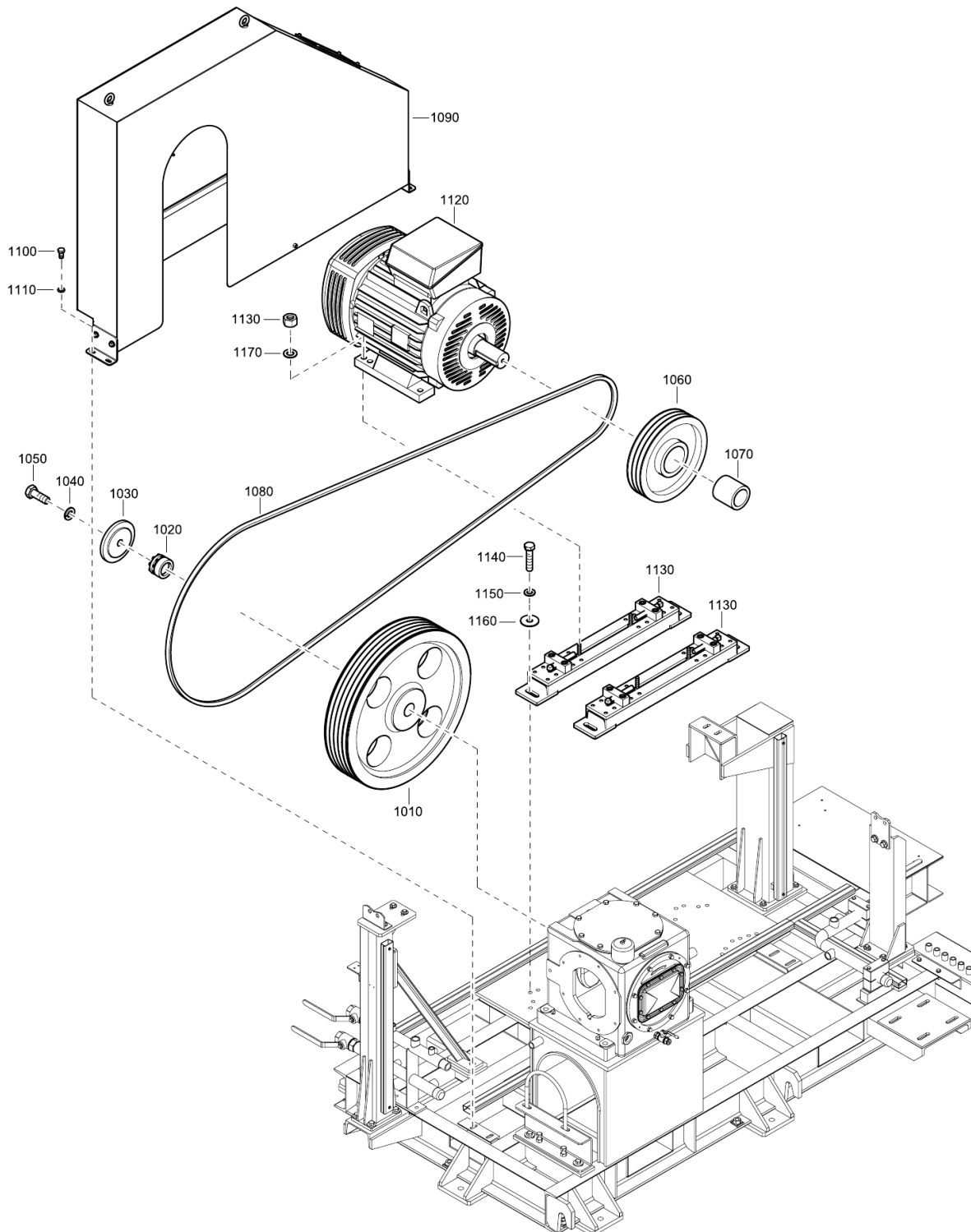


## 8. DRIVE SYSTEM

(65KW - 50HZ / 60HZ)



## 8. DRIVE SYSTEM

(65KW - 50HZ / 60HZ)

---

REF	PART NUMBER	QTY	DESCRIPTION	REMARKS
1010	1901 0612 62	1	FLYWHEEL	
1020	1901 0033 15	1	HUB	
1030	1901 0078 95	1	WASHER	
1040	0333 2174 40	1	SPRING WASHER	
1050	0147 1557 03	1	SCREW	
1060		1	PULLEY V-BELT	
	1901 0116 21		50HZ	
	1901 0105 32		60HZ	
1070	1901 0112 78	1	BOSS	
1080		3	BELT	
	1901 0040 47		50 HZ	
	1901 0085 48		60 HZ	
1090	1903 3686 01	1	BELT GUARD	
1100	0147 1359 03	6	SCREW	
1110	0301 2344 00	6	WASHER	
1120	1901 0710 25	1	MOTOR	
1130	1903 0660 90	1	SLIDING RAIL	
1140	1901 0027 54	6	SCREW	
1150	1901 0064 75	6	WASHER	
1160	1901 0063 92	6	FLAT WASHER	