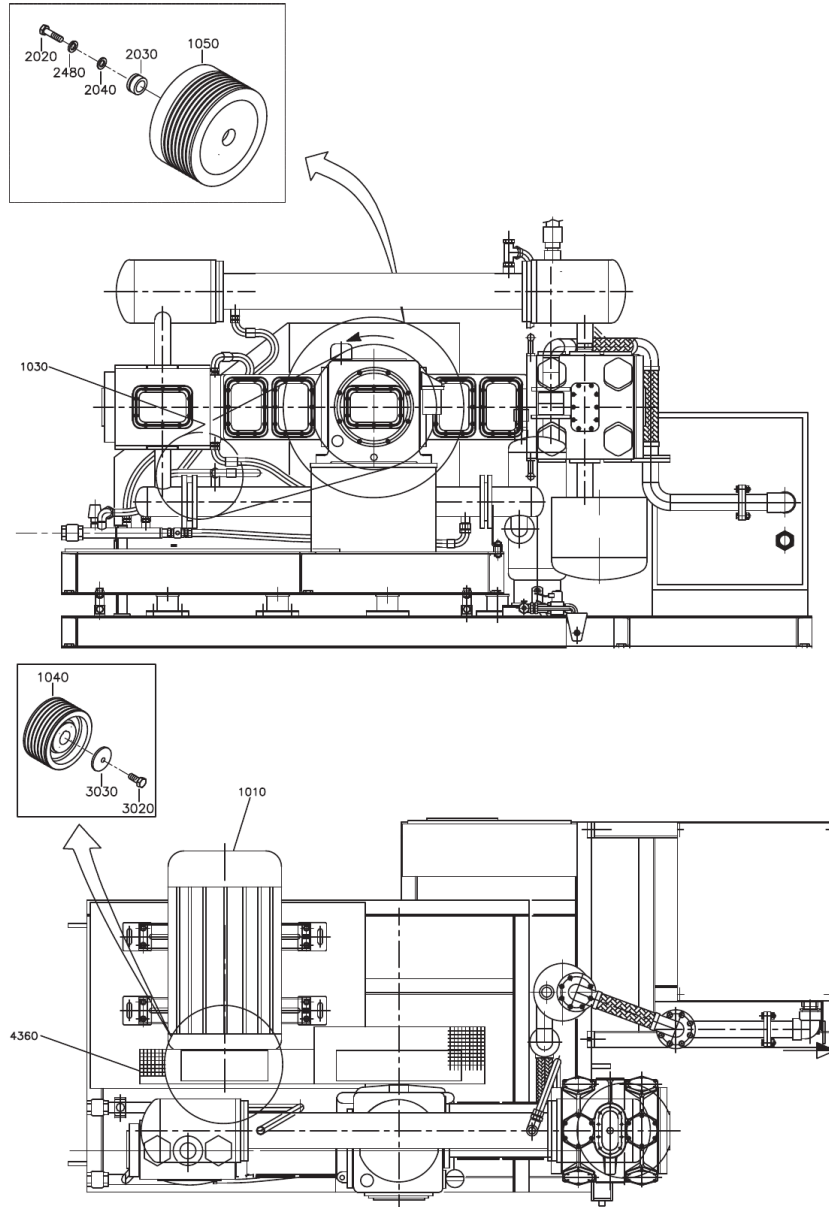


**8. DRIVE SYSTEM**  
**(HX2T 75-100NP)**



## 8. DRIVE SYSTEM

### (HX2T 75-100NP)

Ref	Part Number	Qty	Description	Remark	Ref	Part Number	Qty	Description	Remark
1010		1	Motor						
	1903 0445 12		HX2T 75NP 7kg/cm <sup>2</sup> g						
	1903 0445 12		HX2T 75NP 10kg/cm <sup>2</sup> g						
	1903 0444 12		HX2T100NP 7kg/cm <sup>2</sup> g						
	1903 0444 12		HX2T 100NP 10kg/cm <sup>2</sup> g						
1030		4	Belt						
	1903 5745 13		HX2T 75NP 7kg/cm <sup>2</sup> g						
	1903 5745 13		HX2T 75NP 10kg/cm <sup>2</sup> g						
	1903 5746 13		HX2T100NP 7kg/cm <sup>2</sup> g						
	1903 5746 13		HX2T 100NP 10kg/cm <sup>2</sup> g						
1040		1	Motor pulley						
	1903 8515 34		HX2T 75NP 7kg/cm <sup>2</sup> g						
	1903 7025 34		HX2T 75NP 10kg/cm <sup>2</sup> g						
	1903 7624 33		HX2T100NP 7kg/cm <sup>2</sup> g						
	1903 6724 33		HX2T 100NP 10kg/cm <sup>2</sup> g						
1050		1	Belt wheel						
	1903 0243 02		HX2T 75NP 7kg/cm <sup>2</sup> g						
	1903 0243 02		HX2T 75NP 10kg/cm <sup>2</sup> g						
	1903 0246 02		HX2T100NP 7kg/cm <sup>2</sup> g						
	1903 0246 02		HX2T 100NP 10kg/cm <sup>2</sup> g						
2020	0147 1557 03	1	Hex. hd. Screw						
2030	1903 6721 03	1	Taper lock bush						
2040	1901 0078 95	1	Washer						
2480	0333 2174 40	1	Spring washer						
3020	1903 2697 13	1	Hex head screw						
3030	1903 1617 05	1	Clamping plate						
4360	1903 3618 01	1	Belt guard						