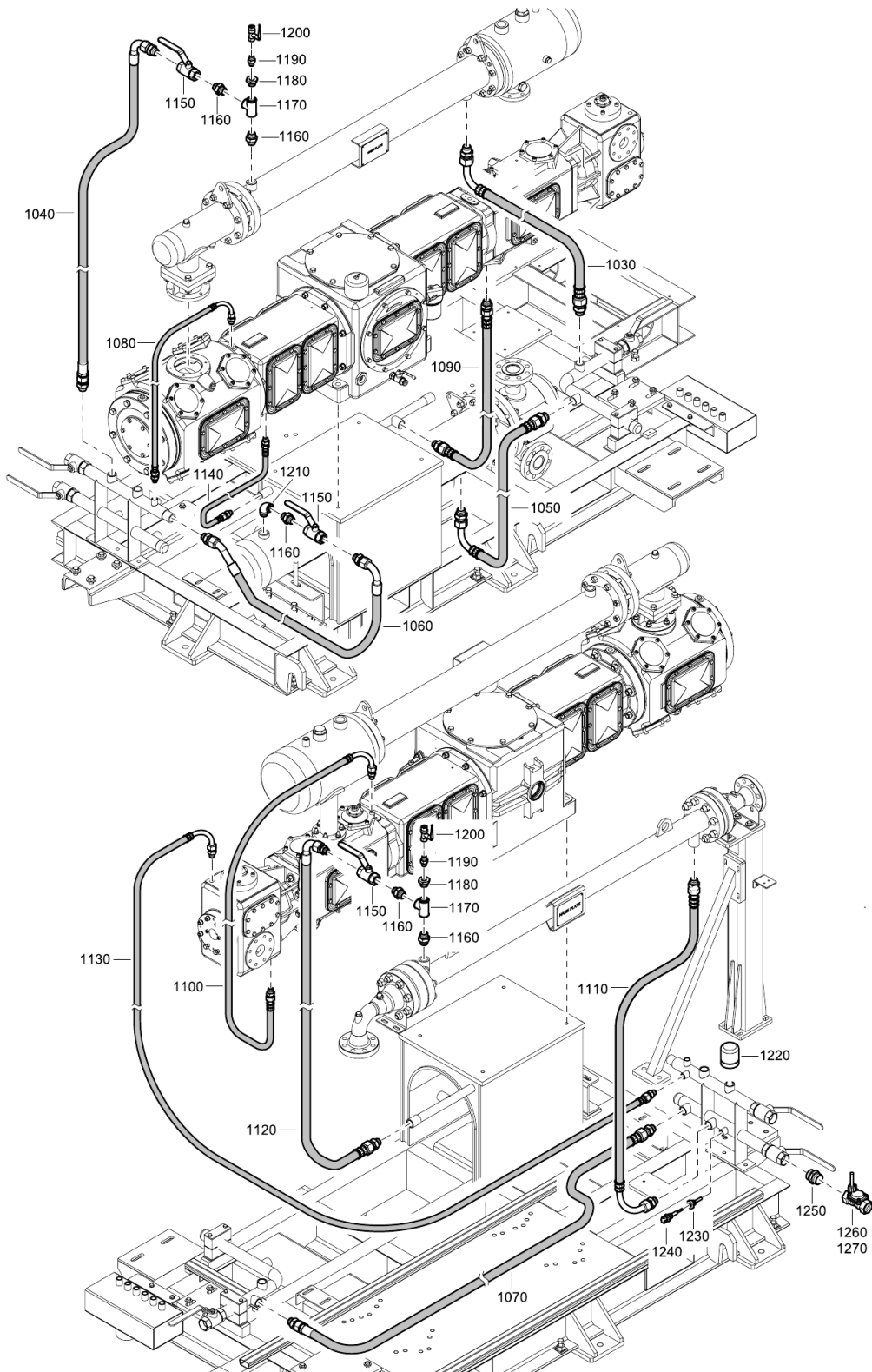


9. WATER SYSTEM

(50HZ / 60HZ)



9. WATER SYSTEM

(50HZ / 60HZ)

REF	PART NUMBER	QTY	DESCRIPTION	REMARKS
1030	1901 9040 76	1	FLEXIBLE	
1040	1901 9040 68	1	FLEXIBLE	
1050	1901 9040 50	1	FLEXIBLE	
1060	1901 9040 50	1	FLEXIBLE	
1070	1901 9040 43	1	FLEXIBLE	
1080	1901 9040 35	1	FLEXIBLE	
1090	1901 9040 27	1	FLEXIBLE	
1100	1901 9040 19	1	FLEXIBLE	
1110	1901 9040 01	1	FLEXIBLE	
1120	1901 9039 95	1	FLEXIBLE	
1130	1901 9039 87	1	FLEXIBLE	
1140	1901 9039 79	1	FLEXIBLE	
1150	1901 0062 56	3	BALL VALVE	
1160	1901 0065 18	5	NIPPLE	
1170	1901 0080 07	2	TEE	
1180	1901 0088 06	2	REDUCER	
1190	1901 0064 34	2	NIPPLE	
1200	1901 0064 80	2	BALL VALVE	
1210	1901 0062 24	1	PIPE ELBOW	
1220	1901 0900 34	1	FLOW SWITCH	
1230	1089 0574 70	1	TEMPERATURE SENSER	
1240	1901 0672 94	1	THERMOWELL	
1250	1901 0104 12	1	NIPPLE	
1260	1901 0084 91	1	ELECTRO VALVE	
1270		1	COIL FOR ELECTROVALVE	
	1901 0595 93		50HZ	
	1901 0596 82		60HZ	