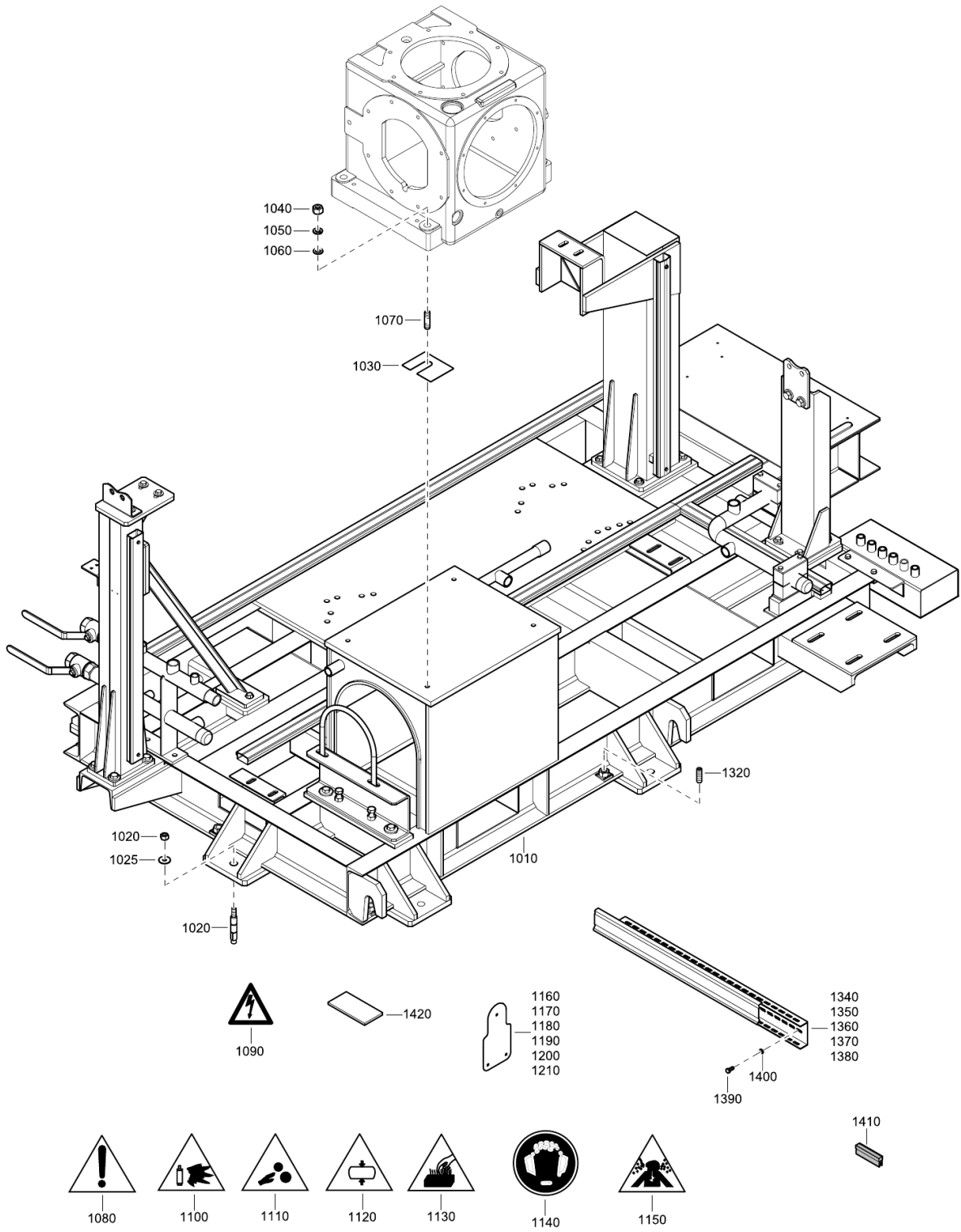


# 1. FRAME

(37KW / 65KW)



# 1. FRAME

(37KW / 65KW)

REF	PART NUMBER	QTY	DESCRIPTION	REMARKS
1010	1903 1040 01	1	SKID	
1020	1901 0088 42	8	FIXING UNIT RESIN	
1025	1901 0717 14	8	WASHER	
1030	1901 0063 72	4	SHIMS	
1040	0266 2116 00	4	HEX. NUT	
1050	0333 2149 00	4	SPRING WASHER	
1060	0301 2394 00	4	PLAIN WASHER	
1070	1901 0120 05	4	STUD	
1080	1901 0065 20	2	LABEL	
1090	1088 1001 04	2	WARNING MARK	
1100	1901 0065 22	8	LABEL	
1110	1901 0065 23	3	LABEL	
1120	1901 0065 24	4	LABEL	
1130	1901 0065 25	9	LABEL	
1140	1901 0065 26	1	LABEL	
1150	1901 0065 27	1	LABEL	
1160	1901 0065 28	3	SUPPORT	
1170	1901 0065 29	1	SUPPORT	
1180	1901 0065 30	1	SUPPORT	
1190	1901 0065 31	2	SUPPORT	
1200	1901 0065 32	2	SUPPORT	
1210	1901 0065 33	2	SUPPORT	
1220	1901 0558 37	1	STICKER FOR COOLING FLUID	
1320	0196 1553 04	9	SCREW	
1330	0690 1132 01	2	LABEL	
1340	1901 0063 80	4	CABLE TRAYS	
1350	1901 0063 81	4	CABLE TRAYS	
1360	1901 0063 82	32	CABLE TRAYS	
1370	1901 0063 83	4	CABLE TRAYS	
1380	1901 0063 84	4	CABLE TRAYS	
1390	1901 0063 86	30	GRUB SCREW	
1400	1901 0028 29	30	FLAT WASHER	
1410	1901 0009 80	1	SEAL STRIP	
1420	1901 9041 00	8	SHIMS KIT	