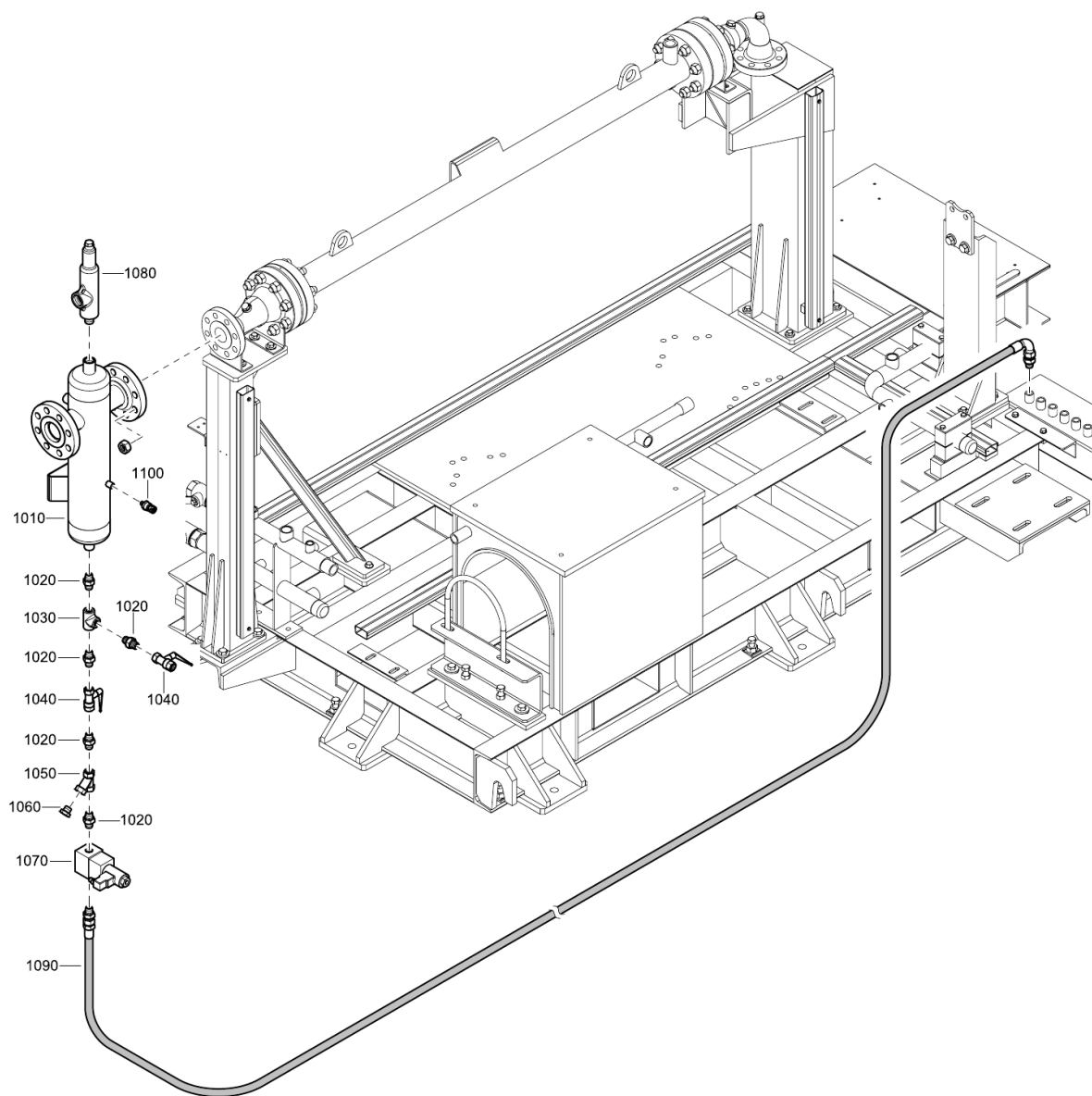


10. FINAL SEPARATOR

(CE / SELO / ASME / GOST)



10. FINAL SEPARATOR

(CE / SELO / ASME / GOST)

REF	PART NUMBER	QTY	DESCRIPTION	REMARKS
1010		1	FINAL SEPARATOR	
	1903 2764 01		ASME	
	1901 0721 58		CE / GOST	
1020	1901 0064 34	5	NIPPLE	
1030	1901 0064 58	1	TEE	
1040	1619 6153 04	2	BALL VALVE	
1050	1901 0038 92	1	FILTER	
1060	0686 3304 03	1	PLUG	
1070	1901 0557 49	1	SOLENOID VALVE	
1080			SAFETY VALVE	
	1901 0635 18		ASME	
	1901 0626 37	1	CE	
	1901 0626 25	1	SELO	
	1901 0648 13	1	GOST	
1090	1901 9039 61	1	FLEXIBLE	
1100	1089 9579 76	1	PRESSURE TRANSDUCER	