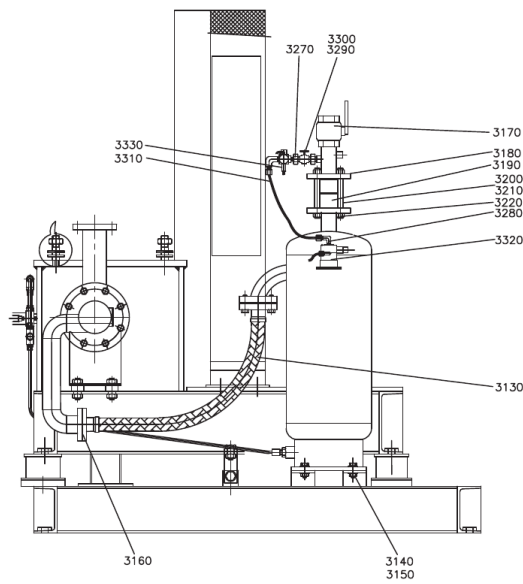
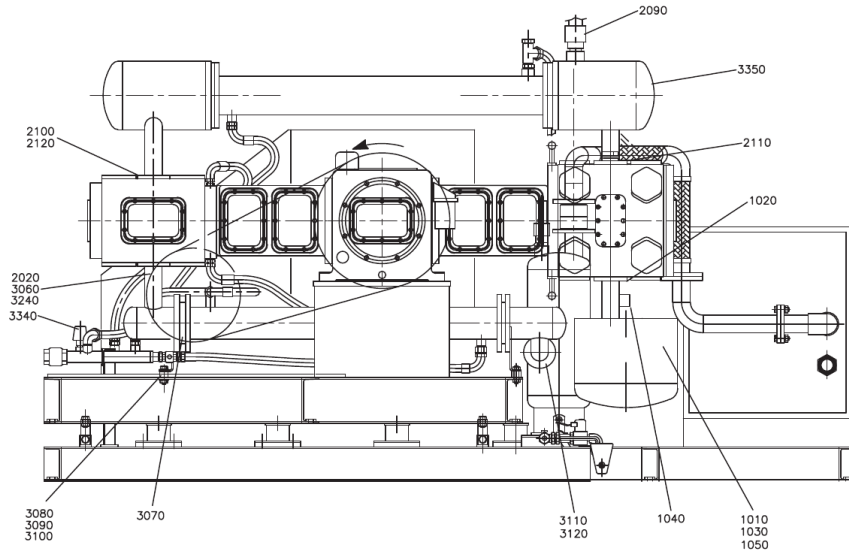


**7. AIR FLOW SUCTION FILTER CUM SILENCER
(HX2T 75-100NP)**



7. AIR FLOW SUCTION FILTER CUM SILENCER (HX2T 75-100NP)

Ref	Part Number	Qty	Description	Remark	Ref	Part Number	Qty	Description	Remark
1010	1903 0849 11	1	Suction filter cum silencer						
-	1903 0849 23	1	Filter element						
1020	1903 1056 08	1	Gasket						
1030	1903 2065 07	1	Nipple brass						
1040	1903 0617 13	1	Indicator						
1050	1903 2049 13	10	Hex nut-m10						
2020		1	Safety valve						
	1903 2240 22		HX2T 75NP 7kg/cm ² g						
	1903 2261 22		HX2T 75NP 10kg/cm ² g						
	1903 2240 22		HX2T100NP 7kg/cm ² g						
	1903 2261 22		HX2T 100NP 10kg/cm ² g						
2090	1903 0421 13	1	Safety valve						
2100	1903 1056 08	1	Gasket						
2110	1903 1054 08	1	Gasket						
2120	1903 2049 13	16	Hex nut						
3060	1903 6198 11	1	Aftercooler						
-	1903 6128 23	1	Tube bundle assembly						
-	1903 1577 08	1	Gasket						
-	W0 4908 09	2	O-ring						
3070	1903 6580 03	4	Sleeve for aftercooler						
3080	1903 3618 13	8	Washer						
3090	1903 2050 13	4	Hex.nut						
3100	1903 2641 13	4	Hex.head screw						
3110	1903 2053 13	18	Hex.nut						
3120	1903 2644 13	12	Hex.hd screw						
3130	1903 3431 07	1	Flexible metallic hose						
3140	1903 2632 13	4	Hex.head screw						
3150	1903 3625 13	8	M.s. washer						
3160	1903 1054 08	2	Gasket						
3170	1903 0269 13	1	Ball valve						
3180	1903 1283 07	1	Flanged adaptor						
3190	1903 0370 13	1	Plate type nrv						
3200	1903 3511 13	8	Stud						
3210	1903 1047 08	2	Ring gasket						
3220	1903 2050 13	16	Hex.nut						
3240	1903 3623 07	1	Plug						
3270	1903 2052 17	1	Nipple						
3280	1903 4875 07	3	Male elbow						
3290	1903 3688 07	1	Hex.red.nipple						
3300	1903 0101 13	1	Globe valve						
3310	1903 7731 17	AR	Nylon tube						
3320	1903 2212 12	1	Sol.valve						
3330	1903 0701 11	1	Air line filter						
3340	1903 3240 12	1	Flow switch						
3350	1903 1427 11	1	Intercooler						
-	1903 1437 11	1	Tube bundle assembly						
-	1903 1095 08	1	Gasket						
-	1903 0189 08	2	O-ring						