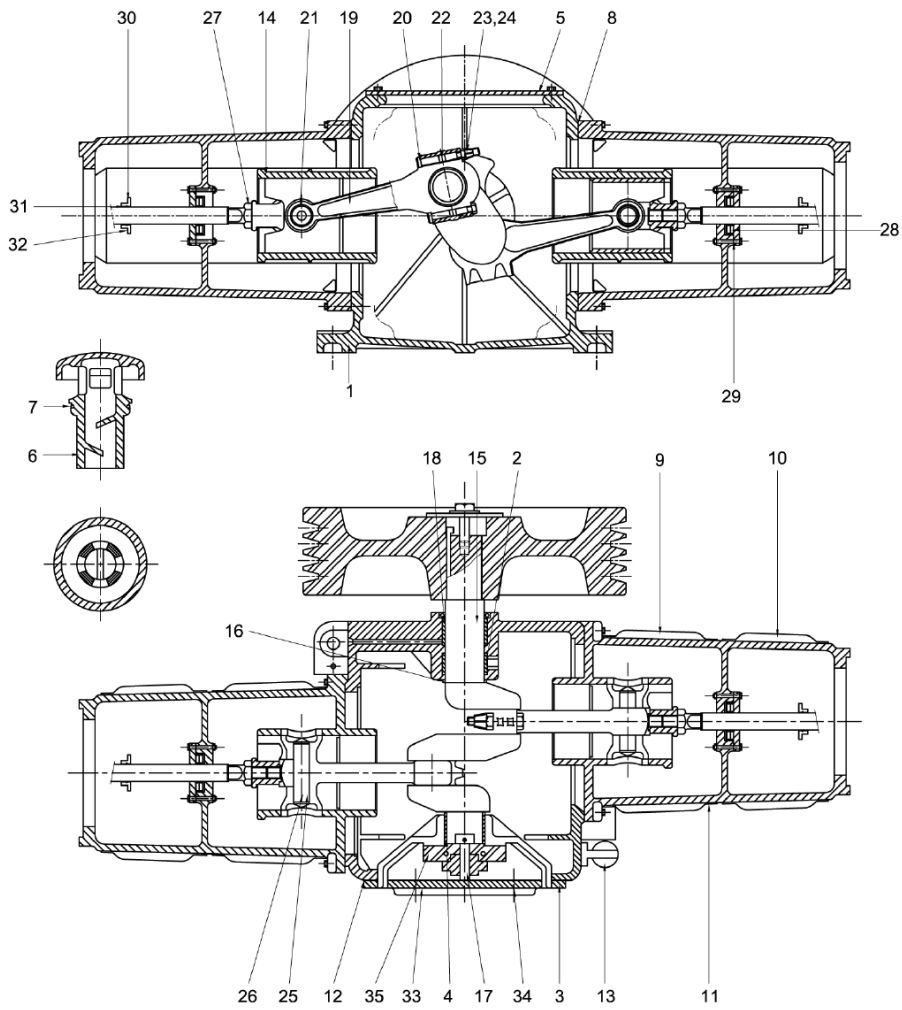


### 3. FRAME, CROSS SLIDE, CRANKSHAFT & CONNECTING ROD ASSEMBLY



### 3. FRAME, CROSS SLIDE, CRANKSHAFT & CONNECTING ROD ASSEMBLY

No.	Description	Ref Part No.	QTY
-	<b>Frame Assly.</b>	<b>1903908195</b>	1
1	*Frame (Macchining)	1901060237	1
2	* Bearing Bush (Main Bearing)	1901000052	2
-	<b>*Bearing Housing Assembly</b>	<b>1903908395</b>	1
3	**Bearing Housing	1901060139	1
4	**Bearing Bush (Main Bearing)	1901000052	1
5	Top Cover for frame	1901003772	1
6	Breather	1903611003	1
7	*'O' Ring for Breather	1903021208	8
8	Gasket for Frame	1901003713	3
9	Gasket for Frame (Frame side)	1901004476	4
10	Gasket for Frame (Cylinder side)	1901003798	4
11	Cu. Washer	1903361913	50
12	Gasket for Frame to Bearing Housing	1903072908	1
13	Oil Filter	1903060111	1
-	Gasket for Oil Filter	1901003771	1
14	Cross Head	1901008533	1
15	*Crankshaft (S.GI)	1903432602	1
16	*Thrust Washer	1901002714	2
17	*Roll Pin Dia. 8x60 for Oil Pump	0108136500	1
18	*Oil Seal Ring	0666600051	1
-	<b>Connecting Rod Assembly</b>	<b>1903908695</b>	2
19	Connecting Rod	1901007110	2
20	Connecting Rod Bolt	1903303604	4
21	Small End Bush	1901000053	2
22	Big End Bearing (Pair)	1901000051	2
23	*Castle Nut	1903222313	4
24	*Split Pin	1903510913	4
25	Cross Head Pin	1901004167	2
26	Circlip	0335214100	8
27	Oil Wiper Ring (Pair of 2)	1903145908	2
29	Gasket for Oil Wiper Ring	1903073708	2
30	V-seal	1901061537	3
-	Deflector	1901964004	3
31	'O' Ring for Deflector (For Old Model)	1903020908	2
32	Grub Screw	1903284513	2
33	Gasket for Lubricator	1903076408	1
34	Cu. Washer	1903361913	10
35	Oil Pump Assembly	1903936190	1