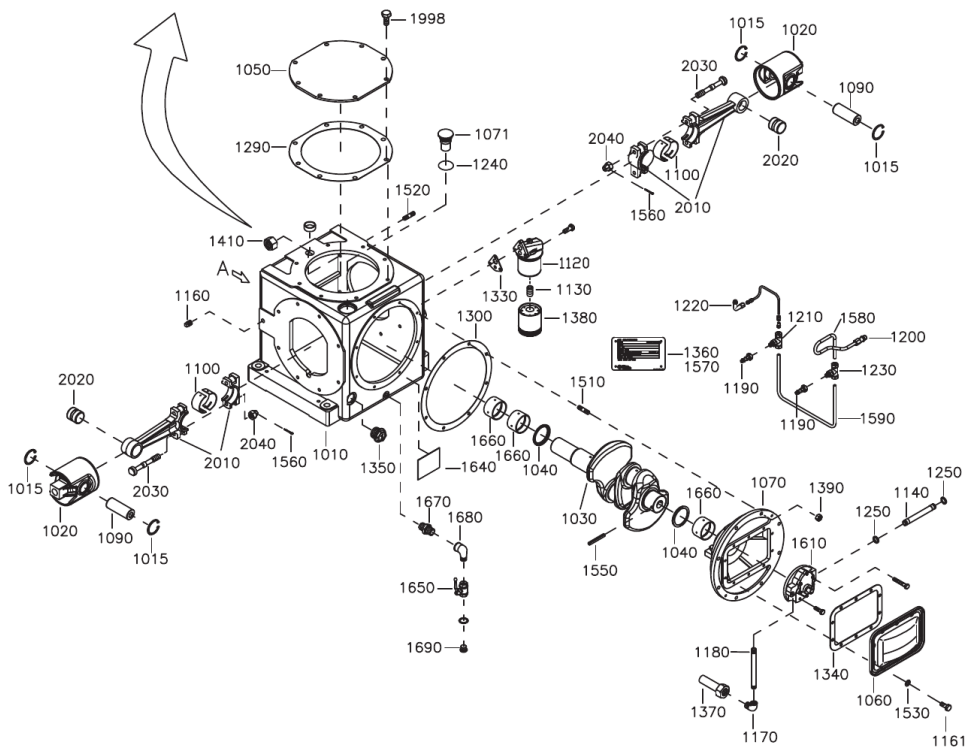
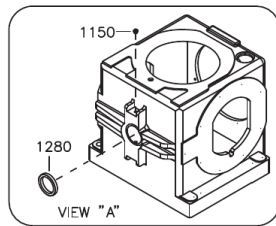


## 2. CRANKCASE (HX2T 75-100NP)



**2. CRANKCASE**  
**(HX2T 75-100NP)**

Ref	Part Number	Qty	Description	Remark	Ref	Part Number	Qty	Description	Remark
1010	1901 0602 37	1	Crankcase		1610	1903 9361 90	1	Oil pump assy.	
1015	0335 2141 00	8	Circlip		1640	1903 4923 08	1	Compressor block data plate	
1020	1901 0702 05	2	Crosshead		1650	1903 0261 13	1	Drain valve	
1030	1903 4326 02	1	Crankshaft		1660	1901 0000 52	3	Bearing bush	
1040	1901 0027 14	2	Thrust ring		1670	1903 3706 07	1	Hex.nipple	
1050	1903 7216 02	1	Door		1680	1903 3645 07	1	Elbow	
1060	1901 0033 48	1	Door		1690	1903 3627 07	2	Plug	
1070	1901 0601 39	1	Bearing housing		1775	1903 3491 13	4	Stud - M14 x 60	
1071	1903 6110 03	1	Breather		1998	0147 1437 03	8	Hex.head screw	
1090	1901 0041 67	2	Cross head pin		2010	1901 0071 10	2	Connecting rod	
1100	1901 0000 51	2	Bearing bush		2020	1901 0000 53	2	Small end bush	
1120	1901 0041 04	1	End cap assy		2030	1903 3036 04	4	Bolt	
1130	1903 7905 04	1	Stud		2040	1903 2054 13	4	Nut - M14	
1140	1901 0082 23	1	Pipe						
1150	1903 3622 07	1	Plug						
1160	1903 3623 07	1	Plug						
1161	0147 1359 03	10	Hex.bolt						
1170	1903 3662 07	1	Elbow						
1180	1903 3712 07	1	Nipple						
1190	1903 3751 07	2	Adaptor						
1200	1903 3967 07	1	Connector						
1210	1903 4087 07	1	Tee						
1220	1903 4315 07	1	Choke						
1230	1903 4322 07	1	Tee						
1240	0663 2112 06	1	O ring						
1250	1903 0213 08	2	O-ring						
1280	0666 6000 51	1	Packing sleeve						
1290	1901 0037 73	1	Paper gasket						
1300	1901 0037 72	1	Paper gasket						
1330	1901 0037 71	1	Gasket						
1340	1901 0038 29	1	Gasket						
1350	1901 0030 11	1	Oil level plug						
1360	1903 4909 08	1	Compressor data plate						
1370	1901 0074 03	1	Oil suct.filter						
1380	1903 0612 11	1	Oil filter						
1390	1903 2049 13	8	Hex nut						
1410	1903 2054 13	16	Hex.nut						
1420	1903 2223 13	4	Castle nut-M14						
1440	0147 1360 03	4	Hex bolt- M10 x 12						
1480	0147 1323 03	1	Hex.bolt- M8 x 20						
1510	1901 0028 86	8	Stud						
1520	1901 0096 78	16	Stud						
1530	1903 3619 13	10	Copper washer						
1550	0108 1365 00	1	Roll pin						
1560	1903 5109 13	4	Split pin						
1570	1903 3103 17	4	Self tapping screw						
1580	1903 7744 17	AR	Cu tube						
1590	1903 7729 17	1	Cu tube						