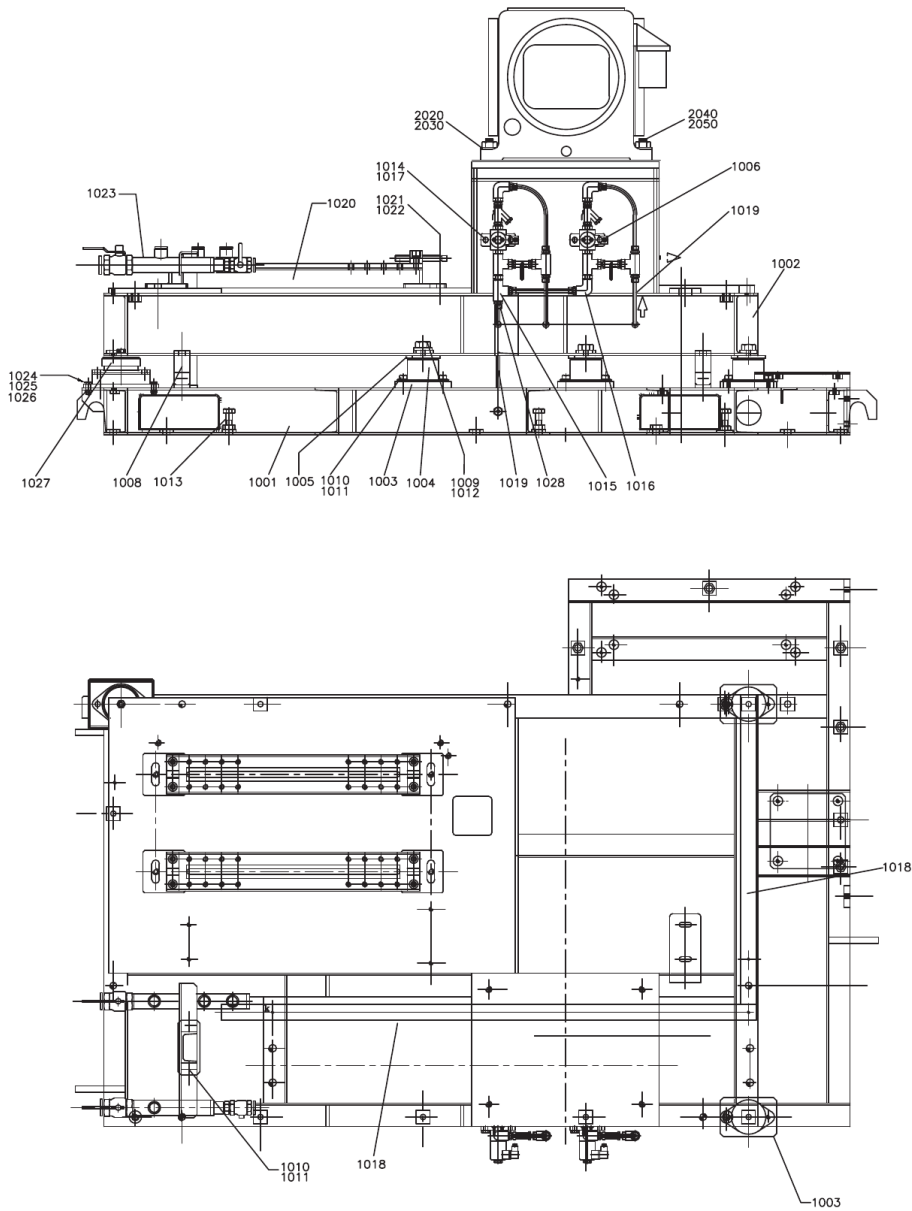


1. BASE FRAME ASSEMBLY (HX2T 75-100NP)



1. BASE FRAME ASSEMBLY
(HX2T 75-100NP)



Ref	Part Number	Qty	Description	Remark	Ref	Part Number	Qty	Description	Remark
1001	1903 0992 01	1	Main deck						
1002	1903 0991 01	1	Sub deck						
1003	1903 6119 01	6	Plate						
1004	1903 2409 08	7	AVM						
1005	1903 5774 01	7	Plate						
1006	1903 8211 90	1	Sol.valve						
1007	1903 3645 07	1	Elbow						
1008	1903 6689 04	7	Clamp						
1009	1903 2632 13	7	Screw						
1010	1903 2621 13	12	Screw						
1011	M36 25 150	14	Plain washer						
1012	1903 3625 13	7	Plain washer						
1013	1903 2616 13	12	Screw						
1014	1903 3507 13	4	Screw						
1015	1903 3872 07	1	Tee						
1016	1903 3645 07	1	Elbow						
1017	1903 3628 13	4	Plain washer						
1018	1903 3628 13	2	Cable try						
1019	1930 4945 12	AR	Nylon tube						
1020	1903 7698 90	2	Slide rail						
1021	1903 2647 13	4	Screw						
1022	1903 3644 13	2	Plain washer						
1023	1903 6087 90	1	Manifold						
1024		2	Screw						
1025		2	Nut						
1026	1903 6690 04	1	Fixture						
1027	1903 2410 08	1	House AVM						
1028	1903 1301 07	6	Pipe connector						
2020	0333 2149 00	4	Spring washer						
2030	0301 2394 00	4	Plain washer						
2040	1903 2056 13	4	Hex.nut						
2050	1903 2616 13	4	Hex.hd.screw						